

D

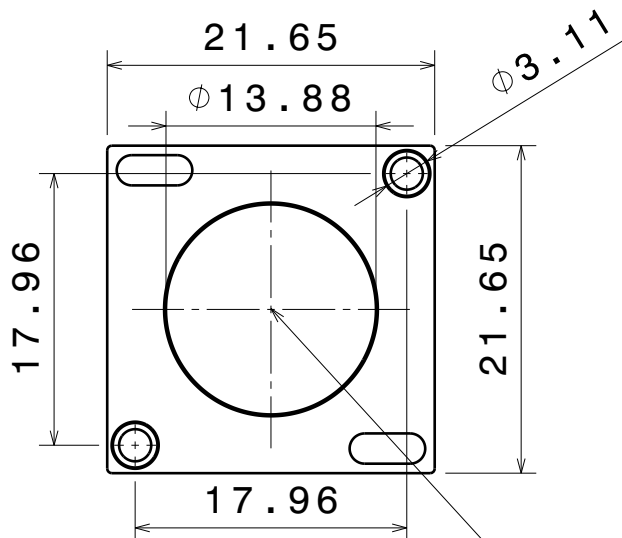
C

B

A

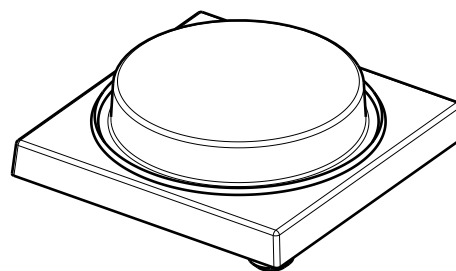
DATE

02.06.2020

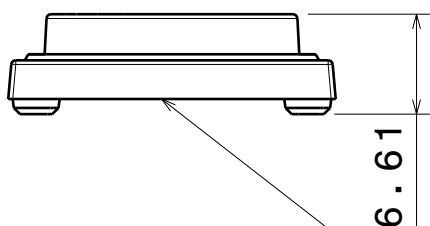


Bottom view
 Scale: 2:1

LED position



Isometric View
 Scale: 2:1



Front View
 Scale: 2:1

PCB top surface

PART	TYPE	MATERIAL	COLOR / COATING
F17822_VIOLETTA-S			

MECHANICAL DRAWING

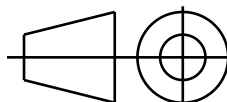
PRODUCT

VIOLETTA

LEDiL®

Plastic moulding general tolerances according to DIN 16901-130 and applies if not otherwise shown in the drawing. Silicone moulding general tolerances according to ISO 3302-1 Class M3 and applies if not otherwise shown in the drawing.

FIRST ANGLE PROJECTION:



This drawing is the property of LEDiL Oy. It may not be copied or otherwise distributed without prior written permission from LEDiL Oy.

SCALE 2:1

WEIGHT -

A4 SHEET 1/1

D

A